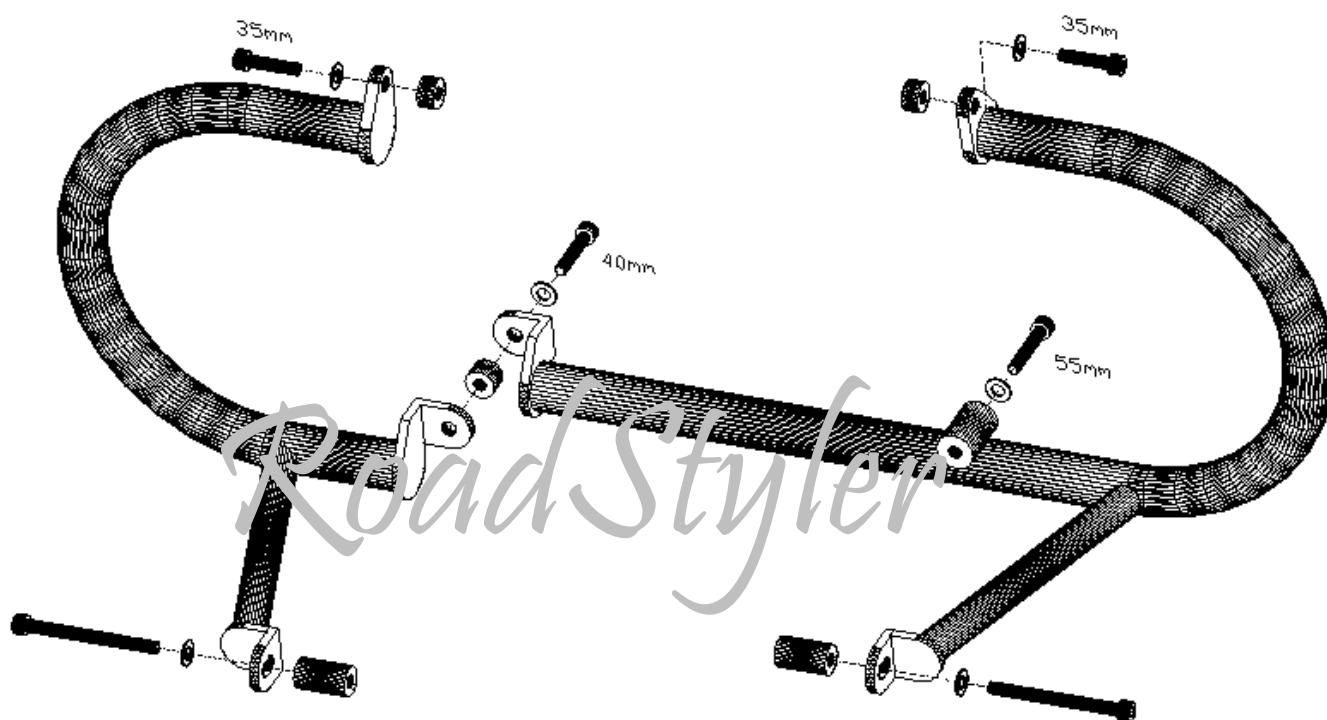


**Front Engine Guards – Honda Valkyrie F6C**



General information and comments:

1. Do not tighten the screws too tight, so as not to bend the handles and not destroy the elements (eg frame) of bike.
2. After installation, verify that you are free to operate the clutch and brake pedals.
3. Remember that the engine guards and are not designed to protect the driver and passenger, but to protect the motorcycle to a limited extent. Engine guards may be effective at low speeds.