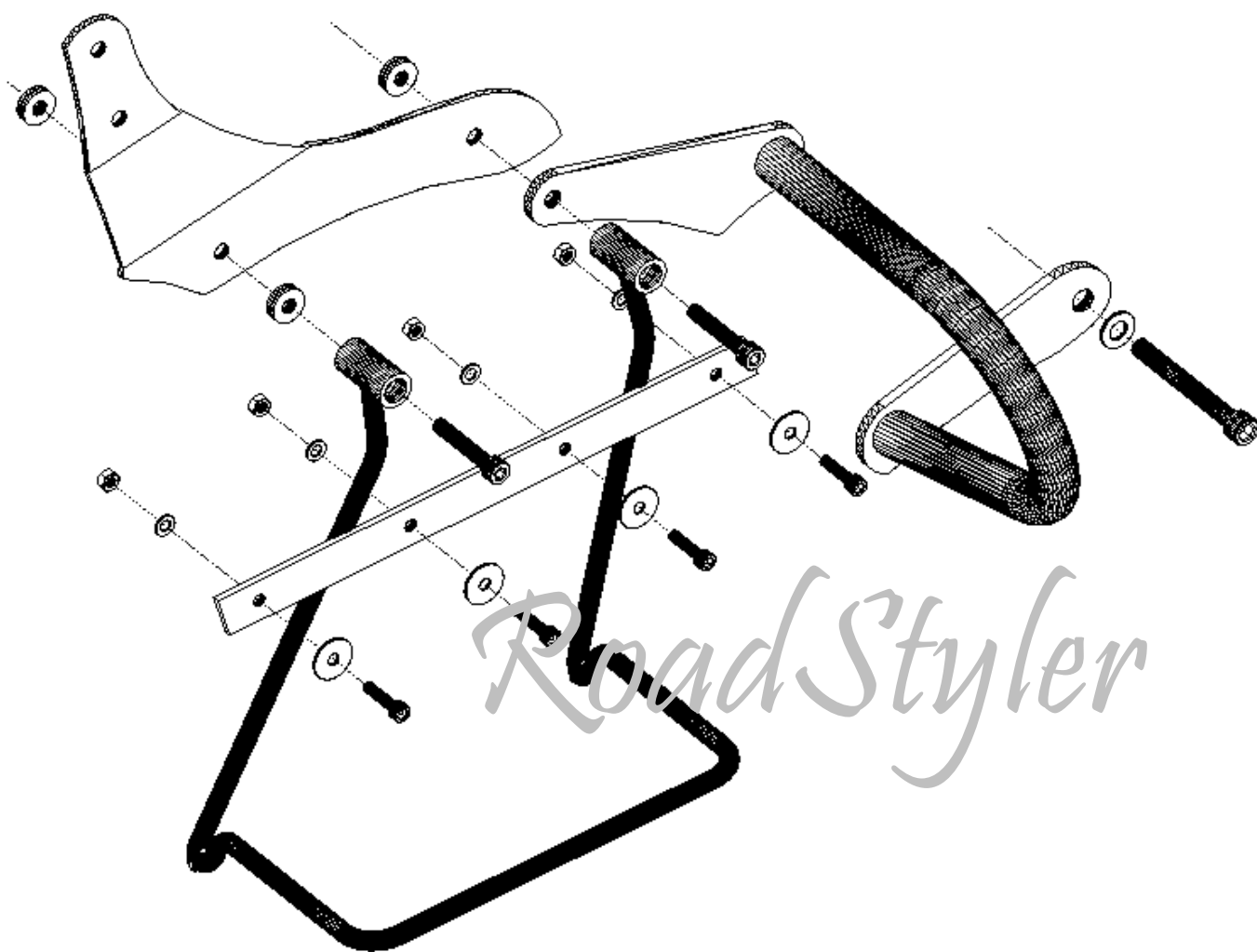


Back Guards – BMW R18



General information and comments:

1. Do not tighten the screws too tight, so as not to bend the handles and not destroy the elements (eg frame) of bike.
2. Remember that the guards are not designed to protect the driver and passenger, but to protect the motorcycle to a limited extent. Guards may be effective at low speeds.
3. Due to the two-piece design, rear guards should always be used in the company of good quality saddlebags. Installation of the rear guards themselves do not provide sufficient protection of motorcycle.