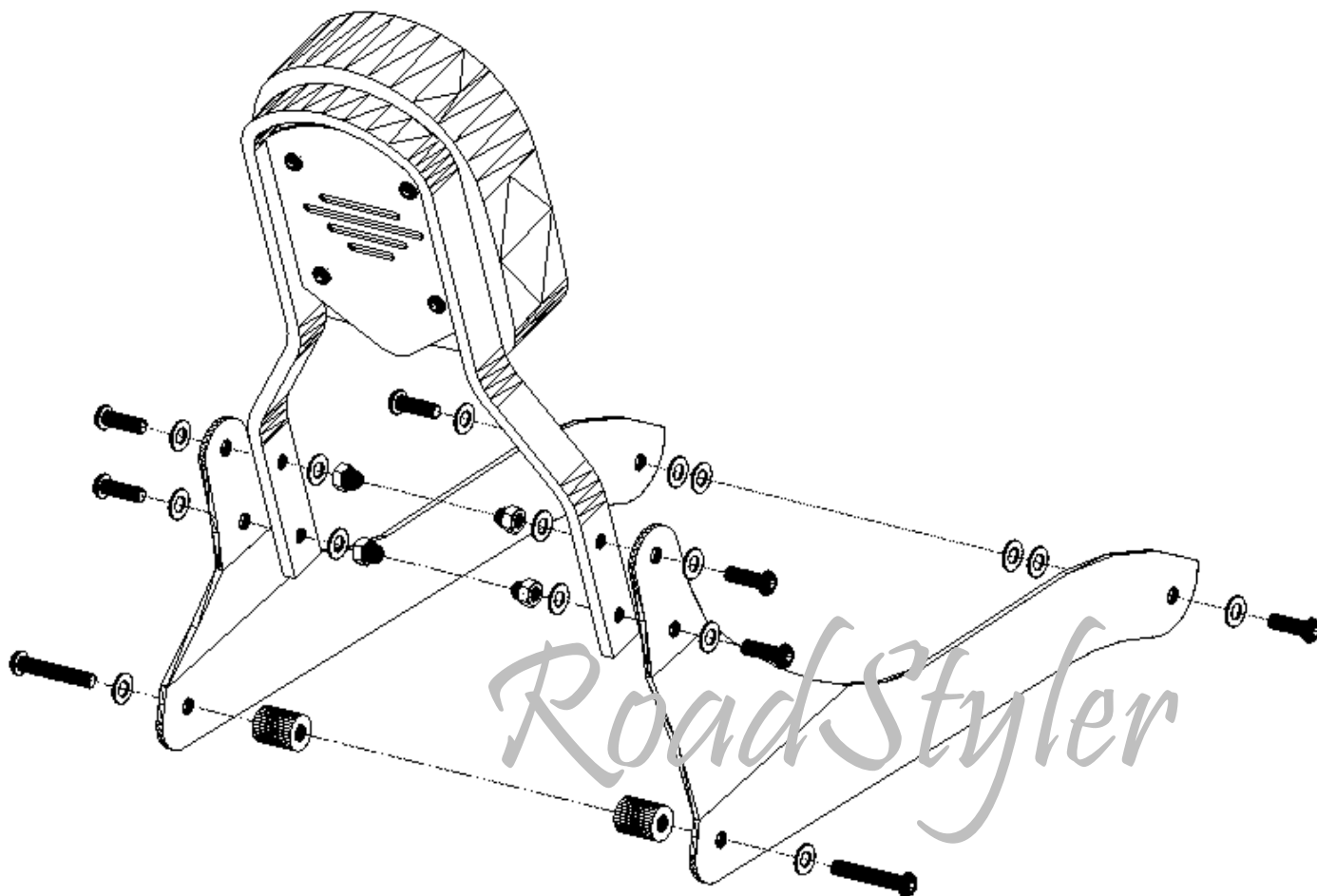


Passenger Backrest – Suzuki Marauder VZ800 up to 2004y



General information and comments:

1. Do not tighten the screws too tight.
2. Tighten all screws at the end - after assembling the entire structure on a motorcycle.
3. Always check the screw length and pitch - compare to the original. The final length of the screw depends on the installed components on the bike.